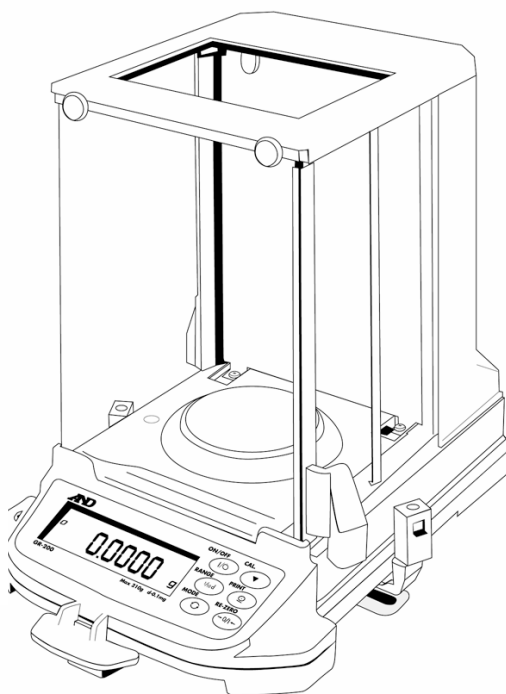


GR Series

Analytical Balances

**Resolution
up to
1/3,100,000!**

**Automatic
Calibration**



**A choice of
units of measure:**
Gram, Milligram,
Decimal Ounce (av),
Carat, Pennyweight,
Troy Ounce, Grain,
Tola, Teal, & Momme

**Plus: Percentage
Counting**

Features

- Simple & Easy to Operate.
- Easy Access Door System.
- GLP Software which outputs the calibration data & ID number of the balance for calibration confirmation to the AD-8121A Printer
- Automatic Self-Calibration.
- Data Memory Function stores up to 200 sets of weighing data.
- Underhook Capability for density measurement & weighing magnetic material.

Four popular capacities to choose from:

Model	Capacity	Resolution	Pan size
GR-120	120g	0.0001g	Ø85mm
GR-200	210g	0.0001g	Ø85mm
*GR-202	210g/42g	0.0001 / 0.00001g	Ø85mm
GR-300	310g	0.0001g	Ø85mm

* **Dual Range**

Fax-on-Demand

(800) 726-7099, Press 2 / (408) 263-2278

Document #15

www.andweighing.com

A&D
A&D WEIGHING
...Clearly a Better Value



1555 McCandless Drive
Milpitas, CA 95035, USA
Toll Free: (800) 726-7099
Phone: (408) 263-5333
Fax: (408) 263-0119

Specifications:

	GR-120	GR-200	GR-300	GR-202
Gram (g)	120 x 0.0001	210 x 0.0001	310 x 0.0001	210 x 0.0001/42 x 0.00001
Milligram (mg)	120000 x 0.1	210000 x 0.1	310000 x 0.1	210000 x 0.1/42000 x 0.01
Decimal Ounce (oz)	4.2 x 0.00001	7.4 x 0.00001	10 x 0.00001	7.4 x 0.00001/1.4 x 0.000001
Troy Ounce (ozt)	3.8 x 0.00001	6.7 x 0.00001	9.9 x 0.00001	6.7 x 0.00001/1.3 x 0.000001
Pennyweight (dwt)	77 x 0.0001	135 x 0.0001	199 x 0.0001	135 x 0.0001/27 x 0.00001
Carat (ct)	600 x 0.001	1050 x 0.001	1550 x 0.001	1050 x 0.001/210 x 0.0001
Momme (mm)	32 x 0.0001	56 x 0.0001	82 x 0.0001	56 x 0.0001/11 x 0.00001
Grain Unit (GN)	1851 x 0.002	3240 x 0.002	4784 x 0.002	3240 x 0.002/648 x 0.0002
Tola (t)	10 x 0.00001	18 x 0.00001	26 x 0.00001	18 x 0.00001/3.6 x 0.000001
Tael (TL)	3.1 x 0.00001	5.5 x 0.00001	8.2 x 0.00001	5.5 x 0.00001/1.1 x 0.000001
Percentage Min. Div.	0.01%, 0.1% or 1% (auto prompt)			
Counting Min. Weight	0.1mg			
Linearity	±0.0002g		±0.0002g/±0.00003g	
Repeatability/Std. Dev.	0.0001g		0.0001/0.00002g	
Stability Time (typically)	3.5 seconds		3.5/8 seconds	
Sensitivity Drift	±2ppm / °C(10°C~30°C / 50°F~ 86°F)			
Display Refresh	5 times per second (stable) / 10 times per second (unstable)			
Pan Size	φ85mm / 3.3 in			
Physical Dimensions mm	249 (W) X 330 (D) X 327 (H)			
Physical Dimensions inches	9.8 (W) X 12.99 (D) X 12.87 (H)			
Breeze Break mm	178 (W) X 160 (D) X 233 (H)			
Breeze Break Dimensions inches	7.01 (W) X 6.5 (D) X 9.17 (H)			
Operating Temperature	5°C~40°C / 41°F~104°F RH less than 85%			
Weight (Approx.)	6.0 kg. / 13.2 lbs. approx.			
Power	100, 120, 220, 240 VAC (AC Adapter) 50Hz/60Hz			
Standard Accessories	Manual, AC Adapter, Reference Card			
Ext. Cal. Mass (optional)	50g/100g	100g/200g	200g/300g	100g/200g

Specifications are subject to change without notice.

Accessories

- **AD-100-2**Anti-Theft Device
- **AD-1653** Specific Gravity Measurement Kit
- **AD-8920**.....External Display
- **SW:128**.....Foot Switch
- **TB:110**.....AC Adapter (120V)
- **TB:123**.....AC Adapter (220V)
- **AD-1191**.....Compact Printer
- **AD-8118A**Multi-Function Printer
- **AD-8118B**Universal Printer
- **AD-8121A**Multi-Function Printer
- **Calibration Weights**

Fax-on-Demand

(800) 726-7099, Press 2 / (408) 263-2278

Document #15

www.andweighing.com

last saved:1/23/02



1555 McCandless Drive
Milpitas, CA 95035, USA

Toll Free: (800) 726-7099

Phone: (408) 263-5333

Fax: (408) 263-0119