



OHAUS DC 3000 Series

Economy Crane Scale



Infrared Remote Controller (optional)

The OHAUS 3000 Series Economy Crane Scale is a versatile, economic solution for overhead material handling and weighing applications. Advanced design features such as power saving and application modes, waterproof construction, anti-scrape screen and an easy-to-read LED display ensure a versatile solution for an economic price.

Standard Features Include:

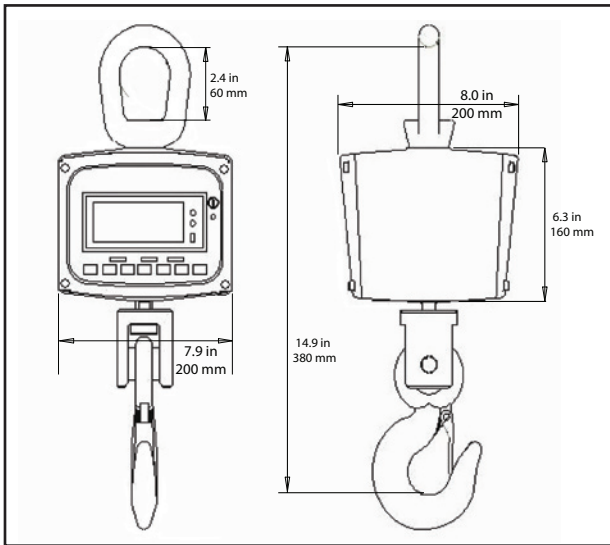
- All metal NEMA 4X/IP65 waterproof construction: painted cast aluminum alloy housing, galvanized shackle and hook with 360° movement of working load
- Easy to read LED display with anti-scrape screen and photocell activated automatic brightness adjustment
- 1:5,000 NTEP legal for trade certified resolution
- Weighing units: lb or kg
- Selectable filtering levels and auto-zero tracking to adapt to multiple application environments
- Accumulation (manual or automatic) with recall of tare value, total weight and number of weighments
- Peak Hold captures and holds the maximum load reading
- Display Hold captures and holds the displayed load reading
- Battery charger included
- Optional infra-red remote controller allows pre-set (numeric) tare entry and printing

DC 3000 Series Economy Crane Scale

Specifications

Models	DCR250	DCR500	DCR1000	DCR2000*	DCR5000
Capacity x Readability (default)	250 x 0.1 lb 100 x 0.05 kg	500 x 0.2 lb 250 x 0.1 kg	1,000 x 0.5 lb 500 x 0.2 kg	2,000 x 1 lb 1,000 x 0.5 kg	5,000 x 2 lb 2,500 x 1 kg
NTEP Certified Resolution*	250 x 0.1 lb 100 x 0.05 kg	500 x 0.1 lb 250 x 0.05 kg	1,000 x 0.2 lb 500 x 0.1 kg	—	5,000 x 1 lb 2,500 x 0.5 kg
Enclosure	NEMA 4X / IP65 painted cast aluminum alloy housing, galvanized hook and shackle				
Safe Overload Capacity	200% of rated capacity				
Ultimate Overload Capacity	500% of rated capacity				
Display	1 in / 25 mm high, 5-digit, 7-segment LED for weight display / 0.8 in / 20 mm high, 1-digit, 7-segment LED for ID number / photocell activated LED brightness adjustment				
Weighing Units	lb, kg				
Modes	Accumulation (auto or manual), Peak Hold, Display Hold, Pre-set Tare (with optional IR controller)				
Environmental Filtering	User selectable: off, low, medium, high				
Stabilization Time	Within 10 seconds				
Zeroing Range	±2% or ±20% of rated capacity				
Operating Temperature	4°F to 122°F / -20°C to 50°C				
Power	6V 7Ah rechargeable lead acid battery (battery charger included, up to 150 hours operation between charging)				
Net Weight	26 lb / 12 kg			29 lb / 13 kg	
Shipping Weight	31 lb / 14 kg			33 lb / 15 kg	
Shipping Dimensions (L x W x H)	21.2 x 10.6 x 12.2 in / 54 x 27 x 31 cm				

Outline Dimensions



Accessories

- IR Remote Controller (p/n 80253191)

Compliance

- **Safety:** cUL_{US}
- **EMC:** FCC
- **Legal for Trade:** NTEP CC 09-059 *(except DCR2000)
- **Quality:** OHAUS quality management system registered to ISO 9001:2008

OHAUS CORPORATION

* 19A Chapin Road
P.O. Box 2033
Pine Brook, NJ 07058 USA

Tel: 800.672.7722
973.377.9000
Fax: 973.944.7177

www.ohaus.com

*With offices throughout Europe,
Asia, and Latin America*

* ISO 9001

Registered Quality Management System

80774521 © Copyright Ohaus Corporation

