

Health o meter®

P r o f e s s i o n a l

PHYSICIAN ELECTRONIC SCALES
BALANCE ELECTRONIQUE
BALANZA ELECTRONICA

MODEL752KL MODELE 752KL MODELO 752KL	MODEL 599KL MODELE 599KL MODELO 599KL	MODEL 597KL MODELE 597KL MODELO 597KL
REMOTE DISPLAY AFFICHAGE À DISTANCE PANTALLA REMOTE	WAIST-HIGH JUSQU'À LA CEINTURE HASTA LA CINTURA	EYE-LEVEL À HAUTEUR DES YEUX AL NIVEL DE LOS OJOS



OPERATION MANUAL
MODE D'EMPLOI
MANUAL DE OPERACIÓN

Version 1.5, 12/01/08



Health o meter®

P r o f e s s i o n a l

MODELS: 597KL, 599KL, 752KL

Thank you for your purchase of this product. Please read this manual carefully and keep it handy for ready reference.

Merci d'avoir acheté ce produit. Veuillez lire attentivement ce manuel et le garder à portée de main pour pouvoir le consulter à tout moment

Gracias por la adquisición de este producto. Lea por favor este manual cuidadosamente y manténgalo a su alcance para una pronta referencia.

ENGLISH	2
FRANCAIS	9
ESPAÑOL	16
TABLE OF CONTENTS	
CAUTION AND WARNING.....	2
SPECIFICATIONS.....	2
SET UP	3-4
OPERATION INSTRUCTIONS	4
MAINTENANCE	5
TROUBLESHOOTING.....	5
CALIBRATION PROCEDURE	6
EXPLODED VIEW OF SCALE	6
PARTS LIST.....	7
LIMITED WARRANTY.....	8

CAUTION AND WARNING

To prevent injury and damage to your scale, please follow these instructions very carefully

- Do not transport the scale while the platform is loaded.
- For accurate weighing the scale must be placed on a flat, stable surface.
- For accurate weighing, verify proper operation according to the procedure described in this manual before each use.
- Do not use in the presence of flammable materials.
- Operating at other voltages and frequencies than specified could damage the equipment.
- If the "LOW BAT" indicator activates, for accurate weighing replace the batteries or connect the scale to an AC power source as soon as possible.

SPECIFICATIONS

GENERAL

Health o meter's Digital Physician Scales, models 597KL, 599KL, 752KL use sophisticated microprocessor technology. Each precision instrument is designed to provide accurate, reliable and repeatable weight measurements and features that make the weighing process simple, fast and convenient. The scale is set up to determine the weight of a stationary patient. The weight can be displayed in pounds or in kilograms. The scale features a swivel display module which allows for viewing from either side of the scale. Also included with the 599KL and 597KL models are wheels for easy mobility. The unit can be operated using its AC adaptor or by 6-C cell batteries (not included).

SCALE SPECIFICATIONS

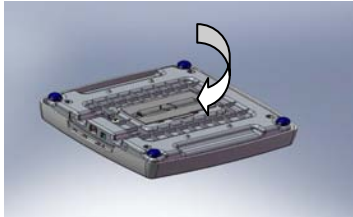
Capacity and resolution	600lb x 0.2lb / 272kg x 0.1kg		
Power Requirements	Adapter 120VAC – 6VDC – 60Hz or 6 – C cell 1.5 V batteries		
Environmental	Operating temperatures: 10°C to 40°C (50°F to 104°F) Storage temperatures: -1°C to +52°C (30°F to 125°F) Humidity: 85% rH (Storage Humidity: 85% rH)		
Platform Dimensions:	14 ¼" x 14 ¼"		
Scale Dimensions	597KL – Eye Level 14 ¼" x 22" x 54 ¾"	599KL – Waist-High 14 ¼" x 22" x 44 ½"	752KL – Two Piece 14 ¼" x 14 ¼"

SET UP

Tools Needed –5mm Hex Driver, Phillips Screwdriver, Flat-Head Screwdriver (for 597KL height rod mount only)

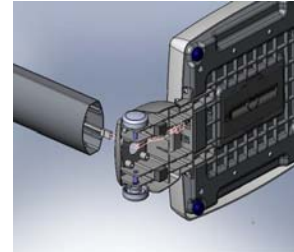
Materials Included –4-Hex Head Machine Screws; 1-Phillips Screw (model 597and 599KL, 2 Phillips Screws (model 752KL); 1-Custom Height Rod Attachment Screw, for models 597 and 599; 1 AC adapter holder with 2 sheet-metal screws.

1.



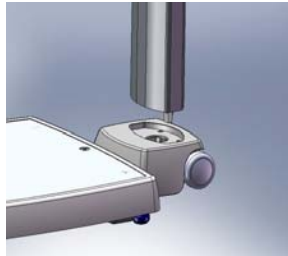
Place batteries in battery holder at base of scale (if using battery operation – we recommend the use of EVEREADY Energizer® e2™ batteries).

2.



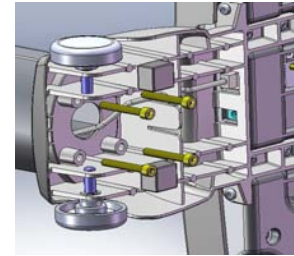
Feed load cell wire through pillar base.

3.



Insert pillar into pillar base.

4.



Screw in 4 hex screws with (5mm) hex driver.

5. Plug load cell wire into load cell plug in base of scale (see diagram 2a). The base of the scale has been designed to provide wire management for the load cell cable. See diagram 2b for wire management of load cell cable.

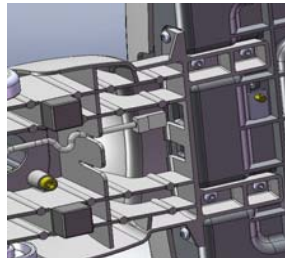


Diagram 2a

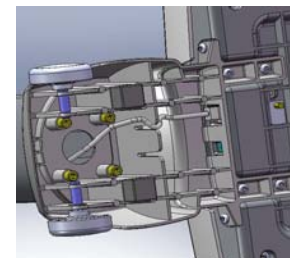


Diagram 2b

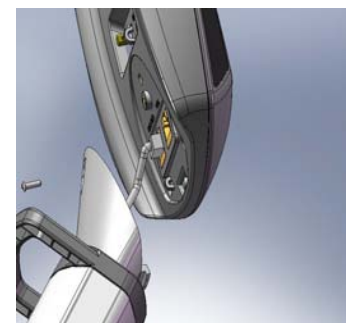
6. Set base upright

7.



Plug load cell wire into load cell plug in display module (correct plug is labeled load cell)

8.



For models 597KL and models 599KL, place display module on top of the pillar and use Phillips screw to tighten module to pillar.

9. For model 752KL, insert display module into wall mount/table top adapter. For wall mount place display module in adapter (see diagram 5a). For table-top place display module in adapter (see diagram 5b). Use 2 Phillips screws to secure the adapter to the display module.

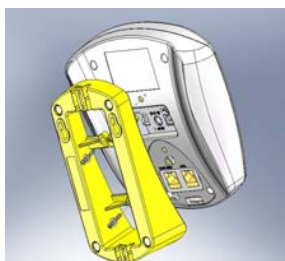


Diagram 5a

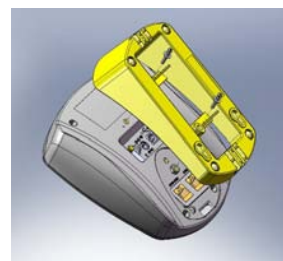


Diagram 5b

10. For model 597KL, insert height rod into pillar base slot (see diagram 6a). Feed screw into hole. Use Flat-Head Screwdriver to tighten height rod to scale from the back (see diagram 6b).

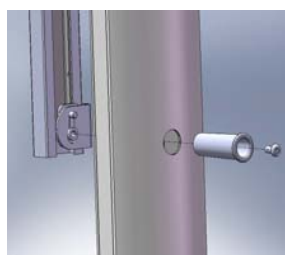
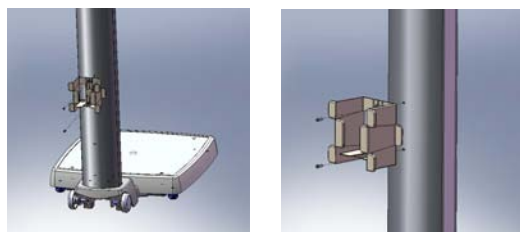


Diagram 6a



Diagram 6b

11.



For models 597KL and models 599KL, attach the AC adapter holder with 2 Phillips sheet metal screws.

12. For AC operation – plug adapter into base of scale and into power source, or use the DC IN plug on the back of the display module.

13. Remove protective plastic film from display

14. Turn scale on by pressing the ON/OFF button. The display will show "Health o meter and then 000.0"

NOTE: if the set up procedure failed, refer to the troubleshooting instructions. If the problem is not corrected, refer to Health o meter® Professional technical support at 1.800.638.3722

OPERATING INSTRUCTIONS

1. Press the ON/OFF button to turn the scale on.
2. Wait until '0.0' and 'Zero' on the left side of the display appear.
3. Ask the patient to step on the scale. The scale will display the patient's weight. (Note: the weight will change until the patient is stable). Once the patient is standing still, the scale will beep three times and the word Lock will appear on the display.
4. To use the BMI feature, place the patient on the scale platform; press the BMI button. The scale will prompt you to enter the patient's height. Use the arrow (scroll) keys to find the correct height (the default height is 5 ft. 6.0 in.). Press ENTER. Display will read the patient's BMI. Weight may remain displayed on the scale by pressing the HOLD/RELEASE button. To release, press the HOLD/RELEASE button again.

NOTE: The scale will always default to the settings and units last used.

*To change the scale default units to kilograms, or to deactivate the LB/KG button, please contact Technical Support at 1.800.638.3722.

NO.	DESCRIPTION	FUNCTION
1.	ON/OFF	Turns scale ON and OFF.
2.	ZERO	Zeros the scale prior to weighing.
3.	HOLD/RELEASE	Holds the value of the weighed object on the display until the button is pressed again to clear the value.
4.	KG/LB button	Toggles between kilograms or pounds.
5.	UP ARROW	Scrolling method for entering height
6.	BMI	Prompts entry of data to calculate the patient's Body Mass Index (BMI).
7.	DOWN ARROW	Scrolling method for entering height
8.	CLEAR	Functions as menu escape in BMI mode
9.	ENTER	Used to accept height in BMI mode



GENERAL

This section provides instructions for maintenance, cleaning, troubleshooting and operator replaceable parts for the Physician Digital Scale. Maintenance operations other than those described in this section should be performed by qualified service personnel.

MAINTENANCE

Before first use and after periods of non-use, check the scale for proper operation and function. If the scale does not operate correctly, refer to qualified service personnel.

1. Check overall appearance of the total scale for any obvious damage, abuse, etc.
2. Inspect condition of AC adapter cord and prongs, replace if needed.

CLEANING

Proper care and cleaning is essential to ensure a long life of accurate and effective operation. Disconnect the scale from the AC power source

1. Clean all external surfaces with a clean damp cloth or tissue. Mild soap and water solution may be used. Dry with a clean soft cloth.
2. Do not immerse the scale into cleaning or other liquid solution.
3. Do not use Isopropyl Alcohol or other solutions to clean the display surface.

TROUBLESHOOTING

Refer to the following instructions to check and correct any failure before contacting service personnel.

SYMPTON	POSSIBLE CAUSE	CORRECTIVE ACTION
Scale does not turn on	<ol style="list-style-type: none"> 1. Dead Battery 2. Faulty electrical outlet 3. Bad Power Supply (Check LED light at back of display module to determine if adapter cord is working) 	<ol style="list-style-type: none"> 1. Replace batteries 2. Use a different outlet 3. Replace adapter
Questionable weight or the scale does not zero	<ol style="list-style-type: none"> 1. External object interfering with the scale 2. The display did not show '000.00 before weighing 3. Scale is not place on a level floor 4. Scale is out of calibration 	<ol style="list-style-type: none"> 1. Remove interfering object from the scale 2. Ask the patient to get off the scale, zero the scale and begin weighing process again 3. Place the scale on a level floor and begin weighing process again 4. Check weight with known weight value
The display shows "OVER"	The load on the scale exceeds the capacity (600lbs)	Remove the excess weight and use the scale according to its limits
The display shows "LO Bat" message	The batteries are dead	Replace batteries according to instructions

ERROR LIST

ERROR NO.	DEFINITION	CHECK/REPLACE
Err 1	Mathematical mistake; division by zero. Cannot calculate calibration factor	Will show when trying to calibrate with no calibration weight
Err 2	Weight loaded too low. Cannot calibrate	While in calibration procedure add more weight in load mode
Err 3	Unstable weight. Cannot calibrate	Check the load cells mechanical surroundings and see nothing touches them and the cables are well connected
Err 5	Calibration disabled	Toggle the calibration switch to enable
Err 6	High saturation state (high A/D)	The load cell is not connected correctly. Check the connection, cables, and mechanical connection. If the problem persists, replace the set of load cells
Err 7	Low saturation state (low A/D)	See Err 6

CALIBRATION PROCEDURE

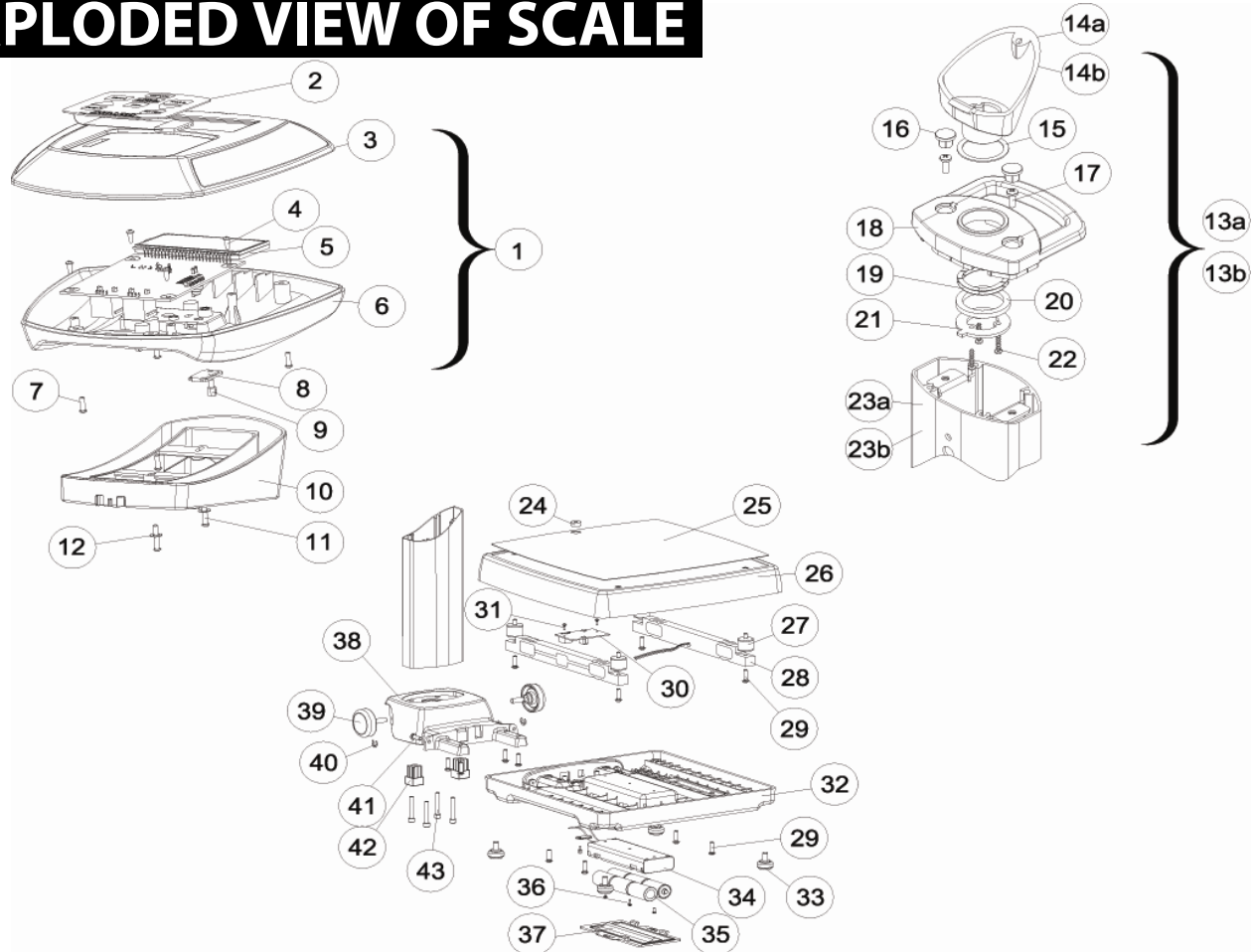
This scale has been calibrated at the factory and does not require re-calibration prior to use.

The calibration procedure may be performed using a known weight in either kilograms or pounds. Simply set the scale for the desired unit of measure using the KG/LB key and start the calibration procedure. The following instructions assume the scale is set to measure lbs. The calibration is performed using kg or lb, according to the unit of measure used upon entering into the calibration path. Note: The calibration weight must be no less than 60 lb (28 kg) and no more than 300 lb (135 kg).

The calibration is performed using kg or lb, according to the unit of measure used upon entering into the calibration path.

OPERATOR ACTION	DISPLAY
While display module is turned on and "START" is displayed on the LCD (for 3 seconds); Press ZERO-KG/LB-KG/LB-ZERO	"CAL" will appear on the LCD
Press ENTER	Enter load weight "Load/300.0"
Press ENTER to calibrate with 300lb Press BMI to change the weight and then the arrows to change the flashing digit, BMI to move to the next digit, until you reach the required weight (no less than 60lb and no more than 300lb)	"CLEAR"
Clear the platform and press ENTER	Zero Calibration "-----"
Wait without touching or shaking the scale until the zero calibration process is finished	Weight calibration "Put XXX.X"
Load the platform with the required weight and press ENTER	Weight calibration "Put XXX.X"
Press ENTER	"DONE"/"CLEAR"/XXX
Remove weight from the platform	Rebooting, please wait
Wait until the scale resumes normal operation	"0.0"

EXPLODED VIEW OF SCALE



Parts List

Key#	Part No.	Description	Qty.	597KL	599KL	752KL
1	T597DISP	DISPLAY ASSEMBLY	1	X	X	X
2	T42-014900-00	KEYPAD	1	X	X	X
3	T16-088121-00	DISPLAY MODULE COVER	1	X	X	X
4	T19-019051-00	M3 x 12MM PLASTIC SELF TAPPING SCREWS	4	X	X	X
5	T63-004400-00	PCB WITH LCD DISPLAY	1	X	X	X
6	T16-088321-00	DISPLAY MODULE BASE	1	X	X	X
7	T19-024051-00	M3 x 12MM ZINC PLATED MACHINE SCREWS	4	X	X	X
8	TRIMMERCOVER	TRIMMER COVER	2	X	X	X
9	COPPER-STAND	COPPER-STAND	2	X	X	X
10	T16-088521-00	WALL MOUNT BRACKET	1			X
11	T19-022851-00	M3 x 12MM ZINC PLATED MACHINE SCREWS	2	X-1	X-1	X-2
12	PLATED WASHER	Φ3 ZINC PLATED WASHER	2			X
13a	T597NECK	NECK/SWIVEL ASSEMBLY - 25°	1	X		
13b	T599NECK	NECK/SWIVEL ASSEMBLY - 45°	1		X	
14a	T16-089021-00	PILLAR NECK 25°	1	X		
14b	T16-087721-00	PILLAR NECK 45°	1		X	
15	T32-086900-00	1.0mm RING	1	X	X	
16	T16-088021-00	PILLAR NECK PLUG	2	X	X	
17	T19-023751-00	M4 X 12mm ZINC PLATED MACHINE SCREWS	2	X	X	
18	T16-087621-00	SWIVEL BASE	1	X	X	
19	T32-087311-00	SPRING WASHER	2	X	X	
20	T16-087800-00	4.5mm RING	1	X	X	
21	T32-086900-00	SWIVEL HOLDING WASHER	1	X	X	
22	T19-019051-00	3 X 16MM PLASTIC SELF-TAPPING SCREWS	3	X	X	
23a	T24-003500-00	SHORT PILLAR	1	X		
23b	T24-003400-00	LONG PILLAR	1		X	
24	GRADIENTER	GRADIENTER	1	X	X	X
25	T42-014611-00	MAT	1	X	X	X
26	T16-087121-00	PLATFORM	1	X	X	X
27	T16-087211-00	BUMPER	4	X	X	X
28	T15-004500-00	LOAD CELL	2	X	X	X
29	FLAT HEAD SCREW	FLAT HEAD M6 x 22mm MACHINE SCREW	8	X	X	X
30	T63-004300-00	BASE PCB	1	X	X	X
31	8MMZINCPLATEDSCREWS	M3 X 8MM ZINC PLATED SCREWS	2	X	X	X
32	T32-087600-00	BASE	1	X	X	X
33	T16-087011-00	RUBBER FEET	4	X	X	X
34	C-BATTERY-HOLDER	C-BATTERY-HOLDER	1	X	X	X
35	C-CELL BATTERIES	C-CELL BATTERIES (Not Included)	6	X	X	X
36	5MMZINCPLATEDSCREWS	M3 X 5MM ZINC PLATED SCREWS	3	X	X	X
37	T16-087311-00	BATTERY DOOR	1	X	X	X
38	T24-003321-00	PILLAR BASE	1	X	X	
39	T46-087411-00	WHEEL ASSEMBLY	2	X	X	
40	T32-087211-00	E-RING	2	X	X	
41	SOCKET BUTTON-SCREW	SOCKET BUTTON HEAD-SCREW -M5x12	6	X	X	
42	T16-088411-00	PILLAR BASE RUBBER FEET	2	X	X	
43	T19-022751-00	M6 X 40MM HEX SOCKET MACHINE HEAD SCREW	4	X	X	
44	T18-004700-00*	LOAD CELL CABLE	1	X	X	
45	T18-004800-00*	LOAD CELL CABLE	1			X
46	T18-005000-00*	COMMUNICATION CABLE	1	X	X	X
47	ADPT50*	ADAPTER 6V 120VAC	1	X	X	X
48	T3817001-0*	ADAPTER HOLDER	1	X	X	
49	402KLROD*	HEIGHT ROD*	1	X		

*Not Pictured in exploded view of scale

LIMITED WARRANTY

What does the Warranty Cover?

Pelstar LLC scales are warranted from date of purchase against defects of materials or in workmanship for a period of one (1) year. If product fails to function properly, return the product, freight prepaid and properly packed to Pelstar. See "To Get Warranty Service" below for instructions. If manufacturer determines that a defect of material or in workmanship exists, customers' sole remedy will be repair or replacement of scale at no charge. Replacement will be made with a new or remanufactured product or component. If the product is no longer available, replacement may be made with a similar product of equal or greater value. All parts including repaired and replaced parts are covered only for the original warranty period.

Who is Covered?

The original purchaser of the product must have proof of purchase to receive warranty service. Pelstar dealers or retail stores selling Pelstar products do not have the right to alter, or modify or any way change the terms and conditions of this warranty.

What is Excluded?

Your warranty does not cover normal wear of parts or damage resulting from any of the following: negligent use or misuse of the product, use on improper voltage or current, use contrary to the operating instruction, abuse including tampering, damage in transit, or unauthorized repair or alternations. Further, the warranty does not cover Acts of God, such as fire, flood, hurricanes and tornadoes. This warranty gives you specific legal rights, and you may also have other rights that vary from country to country, state to state, province to province or jurisdiction to jurisdiction. To get Warranty Service Make sure you keep your sales receipt or document showing proof of purchase. Call 1 (800) 638-3722 or 1 (708) 377-0600 to receive a return authorization number. Attach proof of purchase to your defective product along with your name, address, daytime telephone number and description of the problem. Carefully package the product and send with shipping and insurance prepaid to:

Pelstar LLC
Attention R/A# _____
Repair Department
11800 South Austin Ave. Unit B
Alsip, IL 60803

If your scale is not covered by warranty, or has been damaged, an estimate of repair costs or replacement costs will be provided to you for approval prior to servicing or replacing.

Pelstar LLC 11800 South Austin Ave. Unit B, Alsip, IL 60803 • 1-800-638-3722 or 1-708-377-0600

www.homsscales.com

Health o meter Professional products are manufactured, designed and owned by Pelstar LLC.

Health o meter® is a registered trademark of Sunbeam Products Inc., Boca Raton, FL 33431.

Patents Pending